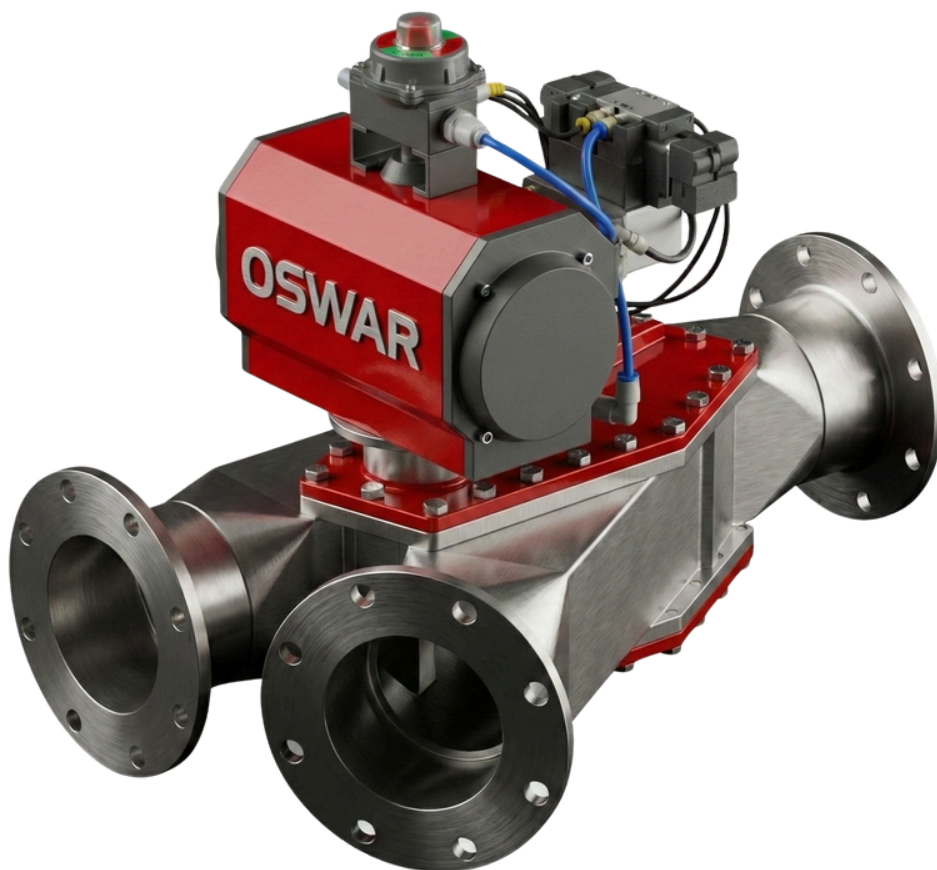



DIVERTER VALVES

PRECISION ROUTING. RELIABLE
MATERIAL CONTROL.



OSWAR
rotocorp

The image shows a large, industrial diverter valve mounted on a metal stand in a factory setting. The valve is primarily red and silver, with the brand name 'OSWAR' clearly visible on its top housing. It has three large circular ports for material flow. The background is a dimly lit industrial environment with pipes, gauges, and overhead lights, creating a warm, orange-toned atmosphere.

Oswar Rotocorp's Diverter Valves are designed to provide efficient and reliable routing of bulk materials in pneumatic and gravity conveying systems. These valves enable seamless redirection of material flow between multiple discharge points without disrupting system pressure or operational stability.

Manufactured with robust structural construction and precision internal mechanisms, Diverter Valves ensure smooth switching between lines while maintaining airlock integrity and minimizing material leakage.

KEY ADVANTAGES

SMOOTH &
PRECISE FLOW
DIVERSION

MINIMAL
PRESSURE LOSS
DURING
SWITCHING

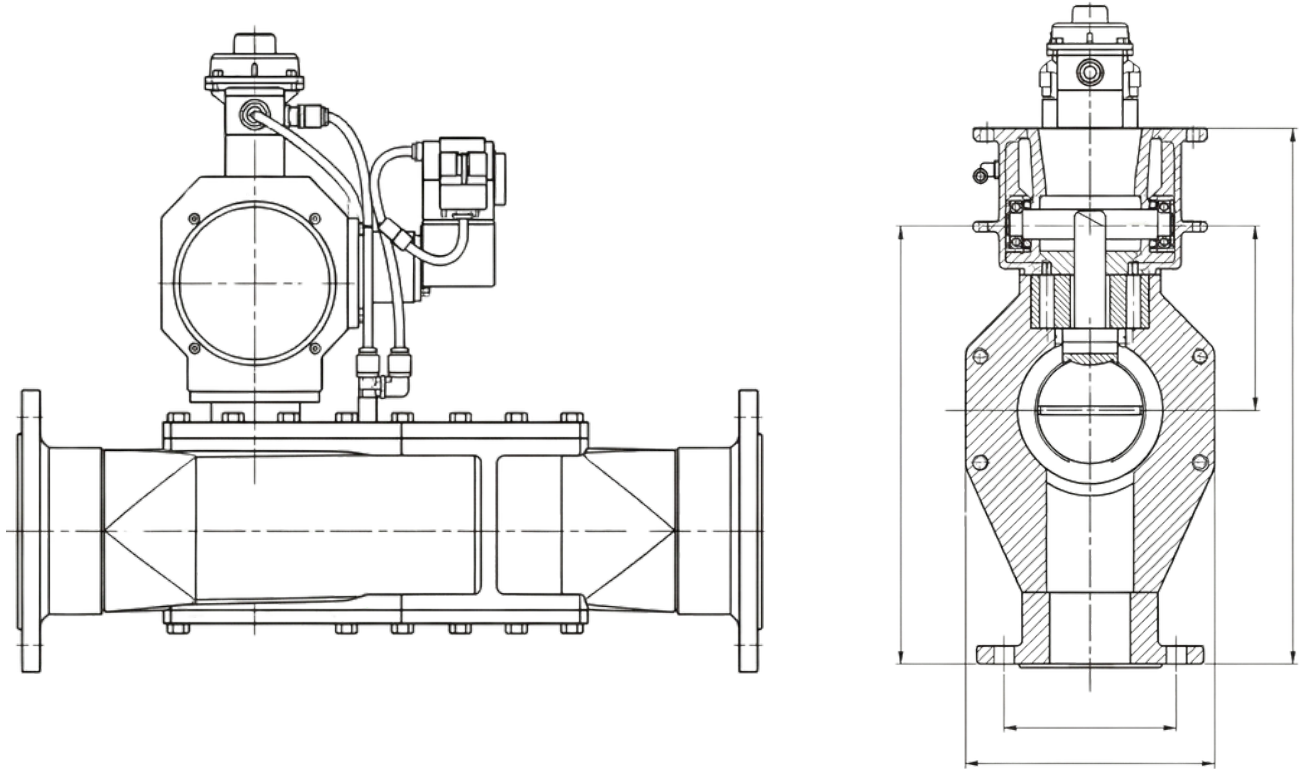
ROBUST
INDUSTRIAL
CONSTRUCTION

MULTIPLE
CONFIGURATION
OPTIONS

BUILT FOR CONTROL & PROCESS STABILITY

The Diverter Valves are engineered with precision-machined housings and carefully aligned internal flaps or rotor mechanisms to ensure accurate material routing.

The sealing configuration is optimized to prevent cross-contamination between lines and reduce air leakage in pneumatic systems. Reinforced construction allows reliable operation under varying pressure conditions and continuous-duty cycles.



ENGINEERING FEATURES

- Heavy-duty fabricated or cast housing
- Precision-aligned internal diversion mechanism
- Optimized sealing system for minimal leakage
- Low-pressure-drop internal design
- Manual, pneumatic, or motorized actuation options

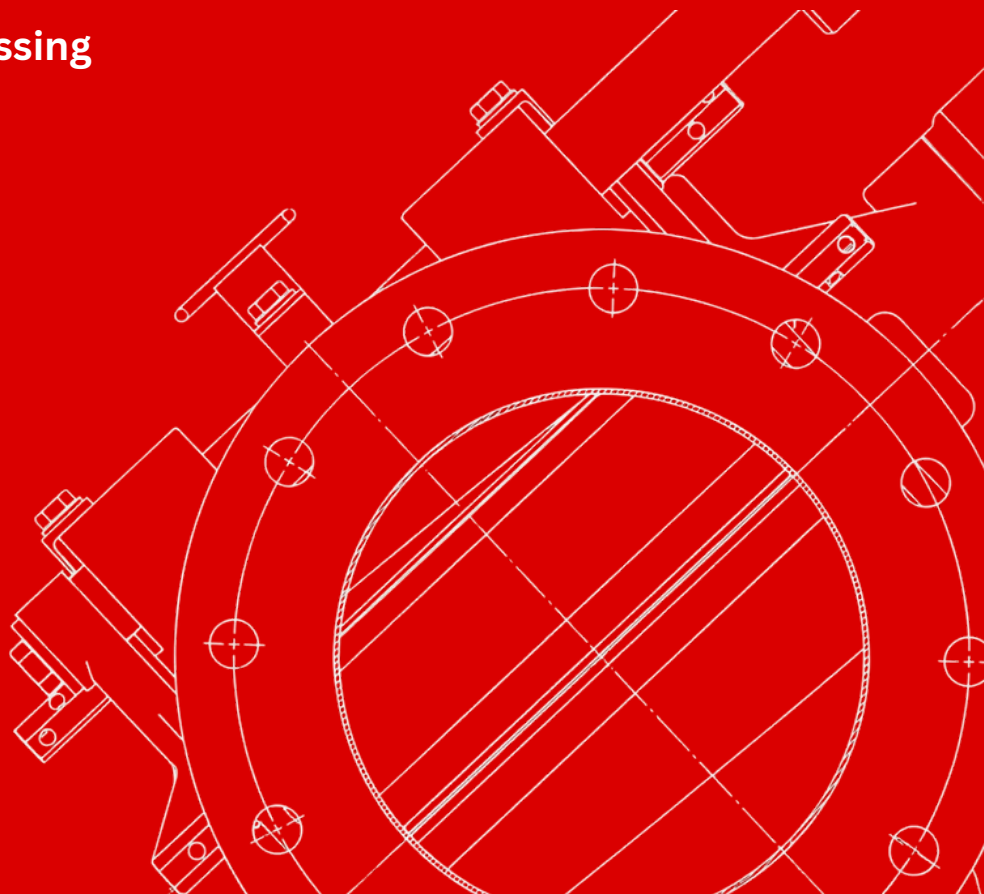
APPLICATIONS & INDUSTRIAL USE

Typical Applications:

- **Pneumatic Conveying Line Diversion**
- **Multi-Silo Feeding Systems**
- **Powder & Granular Material Routing**
- **Process Line Switching**
- **Bulk Transfer Distribution Systems**

Industries Served:

- **Cement Manufacturing**
- **Power Generation Plants**
- **Mining & Mineral Processing**
- **Steel & Lime Industries**
- **Chemical Processing**



OSWAR

rotocorp

Corporate Office

Jaipur, Rajasthan India
Nagpur, Maharashtra India

Sales Inquiries

info@oswarrotocorp.com

Helpline

[+44 7917 128505](tel:+447917128505) | +91 77422 36474

Copyright © 2026 OSWAR ROTOCORP. All Rights Reserved. OSWAR® is a registered trademark of **OSWAR ROTOCORP**. This brochure makes no offers, representations or warranties (express or implied), and information and data contained in this brochure are for general reference only and may change at any time.